



# HUBEI MANTEN AUTOMOBILE CO.,LTD

Add: Southern suburbs Automobile Industry Park, Suizhou, Hubei, China  
Tel: +86 27 8588 9369 Phone: +86 159 2702 6165(wechat,whatsapp)  
Email: julia@manten-truck.com Contact person: Julia www.manten-truck.com

## Flat Bed Truck



**Picture only for Reference**



**Picture only for Reference**



# HUBEI MANTEN AUTOMOBILE CO.,LTD

Add: Southern suburbs Automobile Industry Park, Suizhou, Hubei, China  
 Tel: +86 27 8588 9369 Phone: +86 159 2702 6165(wechat,whatsapp)  
 Email: julia@manten-truck.com Contact person: Julia www.manten-truck.com

## Model No-MT5253AX1 Vehicle Brand : MANTEN

Parameter	Specification	
Data parameter	Chassis outline parameters Length * width * height (mm)	10000*2500*3200
	Wheelbase (mm)	4350+1350
	Wheel base (front and rear) (mm)	1950/1880
	Front/rear overhang (mm)	1500/1950
	Approach Angle/departure Angle (°)	15/9°
	Ground clearance (mm)	240
	Fuel tank volume (L)	400
Performance parameter	Max. speed (km/h)	90Km/h
	Max. Gradient (°)	25
Engine	Type	Vertical, in-line, water-cooled, turbocharged
	Model	B21033
	Manufacture	Dongfeng Cummins
	Displacement (cc)	6700
	No. of Cylinder	6
	Fuel type	Diesel
	Rated functional power (kw/rpm)	210bhp @ 2300RPM
	Torque (N.m/rpm)	800Nm @1400RMP
Emission standard	Euro II	
clutch	Type	Single disc diaphragm spring push clutch
	Operating mode	Hydraulic control
Gearbox	Type	Mechanical
	Model	1SS911
	Production enterprise	Fast
	Drive	6x2
	Operating mode	Remote dual flexible shaft control
	Transmission	8 Speed forward 1 reverse/Manual
Electric appliance	Battery (V/Ah)	24/140
	Battery (Pcs)	2
Body	Model	Tianjin
	Type	Four doors Five seats, reversible
	No. of Seats	1+4
	Driving side	LHD
Steering	Type	Power steering
Tyre	Size/quantity	11.00R20 16PR / 10+1pcs



# HUBEI MANTEN AUTOMOBILE CO.,LTD

Add: Southern suburbs Automobile Industry Park, Suizhou, Hubei, China  
 Tel: +86 27 8588 9369 Phone: +86 159 2702 6165(wechat,whatsapp)  
 Email: julia@manten-truck.com Contact person: Julia www.manten-truck.com

## Model No-MT5253AX1

Axles	No. of Axles	3
Axles rated load	Front axles rated load ( kg )	6900
	Rear axles rated load (kg)	18000
Brake system	Type	Pneumatic
Suspension	Type	Multiple leaf springs
	Front leaf spring	8
	Rear leaf spring	10+8
Cab Configuration	<ul style="list-style-type: none"> <li>* Adjustable front seats</li> <li>* standard interior</li> <li>* Seat belts</li> <li>* Fog lights</li> <li>* Laminated windshield</li> <li>* Wipers</li> <li>* Window and door glass</li> <li>* Sun visor in the cab</li> <li>* Air condition</li> <li>* Direction assist</li> <li>* Central lock</li> <li>* Electric window</li> </ul>	

## Vehicle Parameter

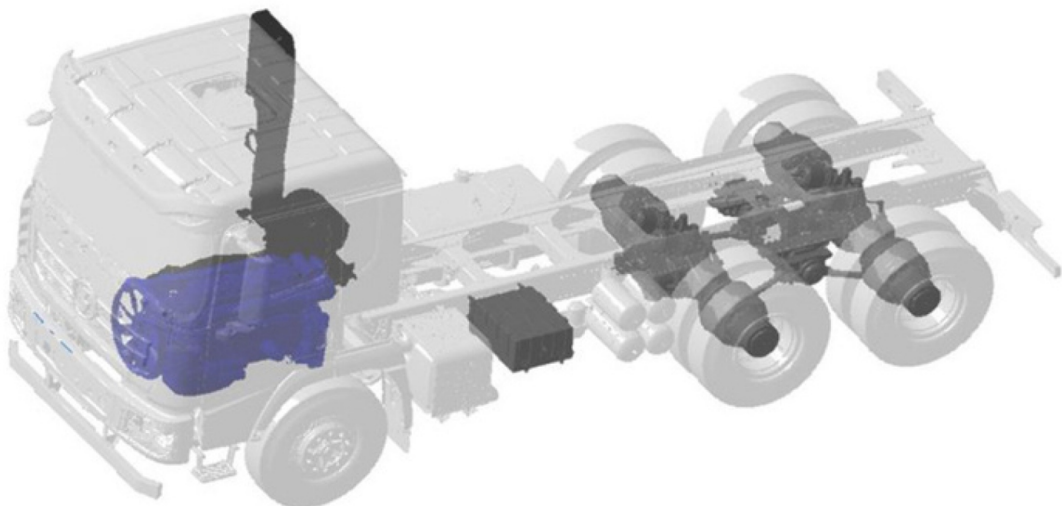
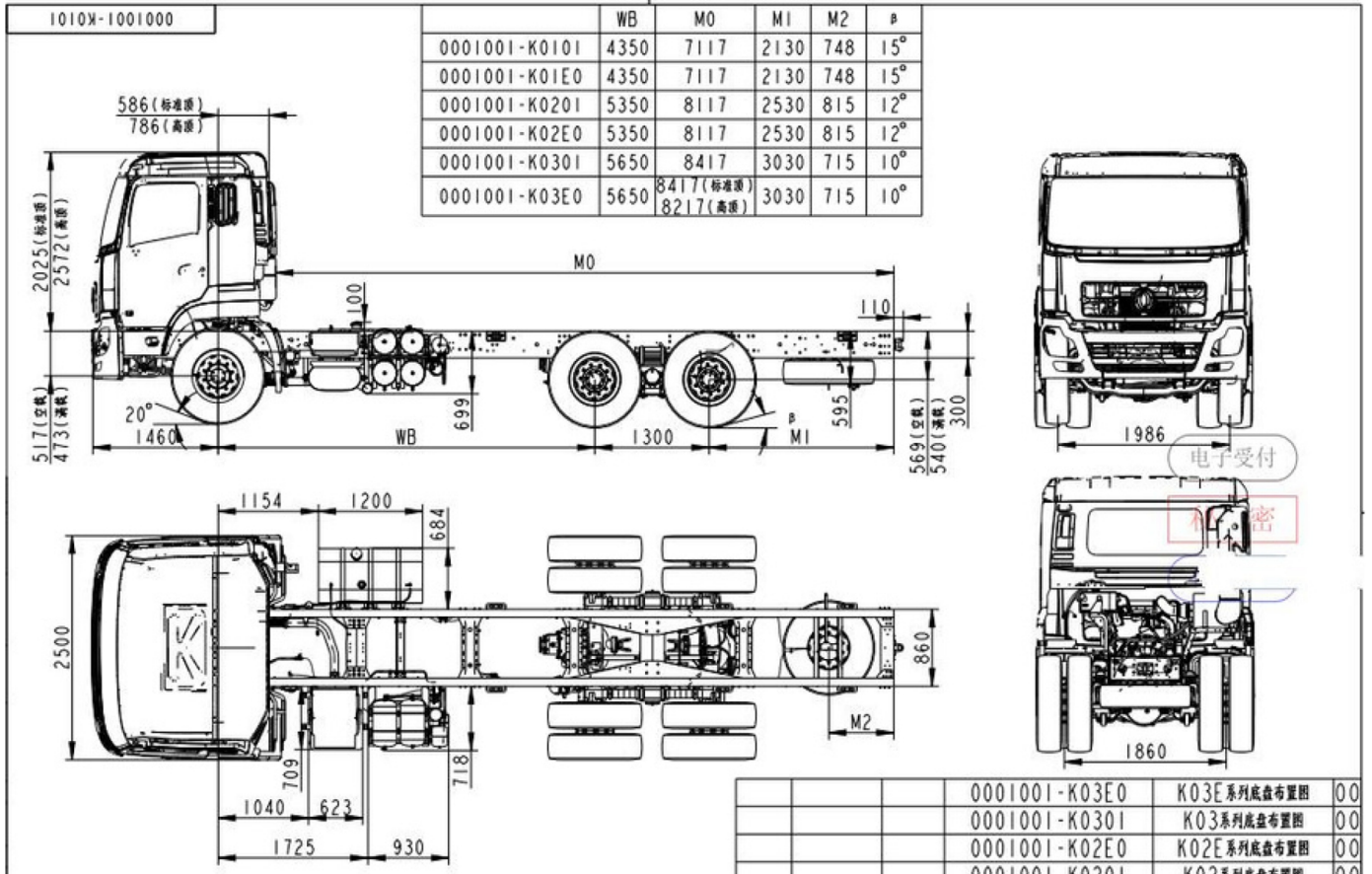
Parameter		Specification
Overall dimension (mm)		10500*2550*3220
Rated Load capacity (Kg)		20000
G.V.W (Kg)		25000
Body Structure	Total length (mm)	10500
	Total Width (mm)	2500
	Effective load (Ton)	20
	Material thickness (mm)	5
Features		Container mounting holes with locking bolts
		Protection between loading area and Cabin
		Body with mounting holes for fastening straps - rope tightener.



# HUBEI MANTEN AUTOMOBILE CO.,LTD

Add: Southern suburbs Automobile Industry Park, Suizhou, Hubei, China  
 Tel: +86 27 8588 9369 Phone: +86 159 2702 6165(wechat,whatsapp)  
 Email: julia@manten-truck.com Contact person: Julia www.manten-truck.com

## Chassis and Flatbed Truck Drawings





# HUBEI MANTEN AUTOMOBILE CO.,LTD

Add: Southern suburbs Automobile Industry Park, Suizhou, Hubei, China  
Tel: +86 27 8588 9369 Phone: +86 159 2702 6165(wechat,whatsapp)  
Email: julia@manten-truck.com Contact person: Julia www.manten-truck.com

Cabin : Dongfeng 1208 classic type, can add defensive nets and painting UN white. Can be customized.

Adjustable comfortable seat



Back Side Body Picture for Reference



**Picture only for Reference**



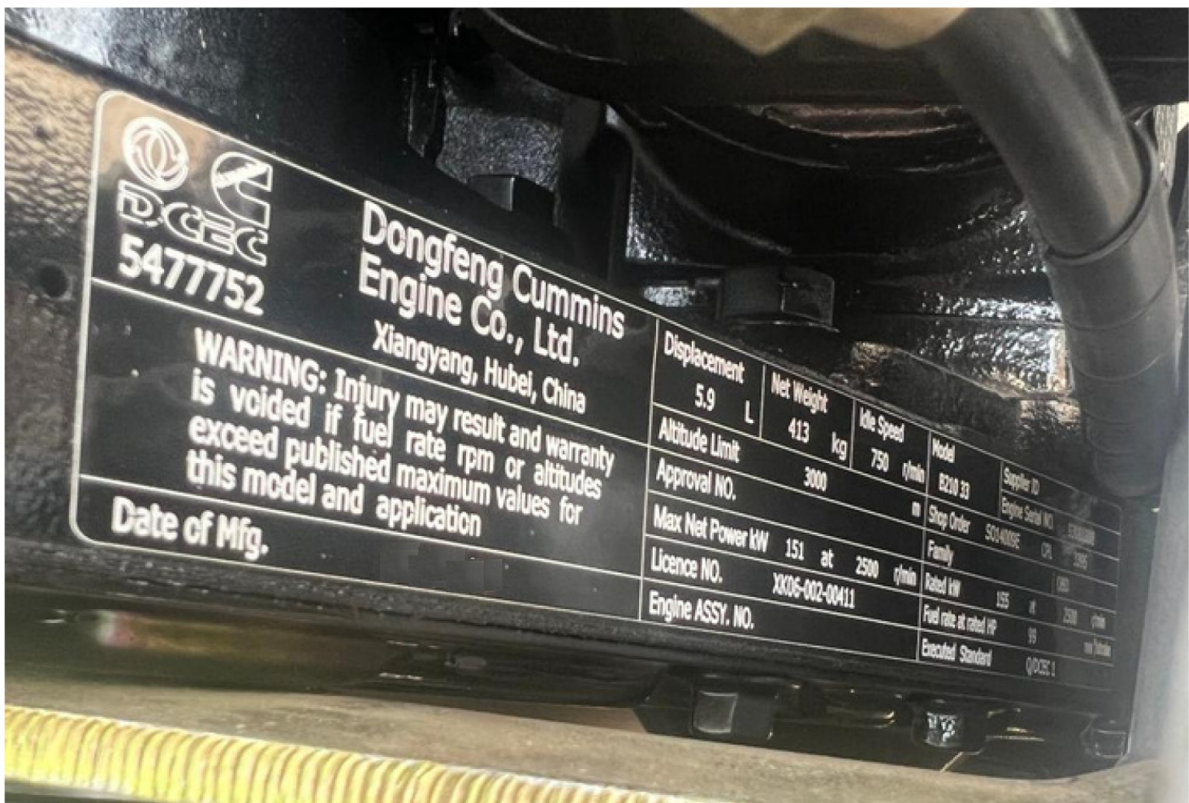
# HUBEI MANTEN AUTOMOBILE CO.,LTD

Add: Southern suburbs Automobile Industry Park, Suizhou, Hubei, China  
 Tel: +86 27 8588 9369 Phone: +86 159 2702 6165(wechat,whatsapp)  
 Email: julia@manten-truck.com Contact person: Julia www.manten-truck.com

## ENGINE



**Picture only for Reference**





# HUBEI MANTEN AUTOMOBILE CO.,LTD

Add: Southern suburbs Automobile Industry Park, Suizhou, Hubei, China  
Tel: +86 27 8588 9369 Phone: +86 159 2702 6165(wechat,whatsapp)  
Email: julia@manten-truck.com Contact person: Julia www.manten-truck.com

### Tool box



### Container locks



### Strengthen frame





# HUBEI MANTEN AUTOMOBILE CO.,LTD

Add: Southern suburbs Automobile Industry Park, Suizhou, Hubei, China  
 Tel: +86 27 8588 9369 Phone: +86 159 2702 6165(wechat,whatsapp)  
 Email: julia@manten-truck.com Contact person: Julia www.manten-truck.com

## CARGO STRAPS

Straps	Qty	picture
包装带 Strap pack, Size:Standard	1 set	
运输链 Transport strap, Size:Standard	1 set	
棘轮带 Ratchet strap, Size:Standard	1 set	
实用带 Utility strap, Size:Standard	1 set	
绞盘带 Winch strap, Size:Standard	1 set	
绞盘杆 Winch bar, Size:Standard	1 set	
链条夹 Chain binders, Size:Standard	1 set	
系紧带 Tie dow strap, Size:Standard	1 set	
不同,尺寸的形 D rings Size : Standard	1 set	

Other accessories if required for the full functioning of cargo transport





# HUBEI MANTEN AUTOMOBILE CO.,LTD

Add: Southern suburbs Automobile Industry Park, Suizhou, Hubei, China  
Tel: +86 27 8588 9369 Phone: +86 159 2702 6165(wechat,whatsapp)  
Email: julia@manten-truck.com Contact person: Julia www.manten-truck.com

## Vehicle Drawing

